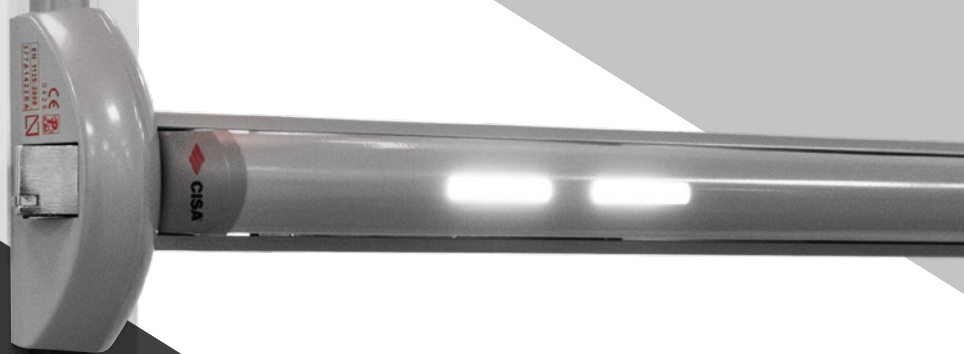




CISA POLARIS

Emergency
light system for
panic exit devices.



Education



Residential



Commercial



Healthcare

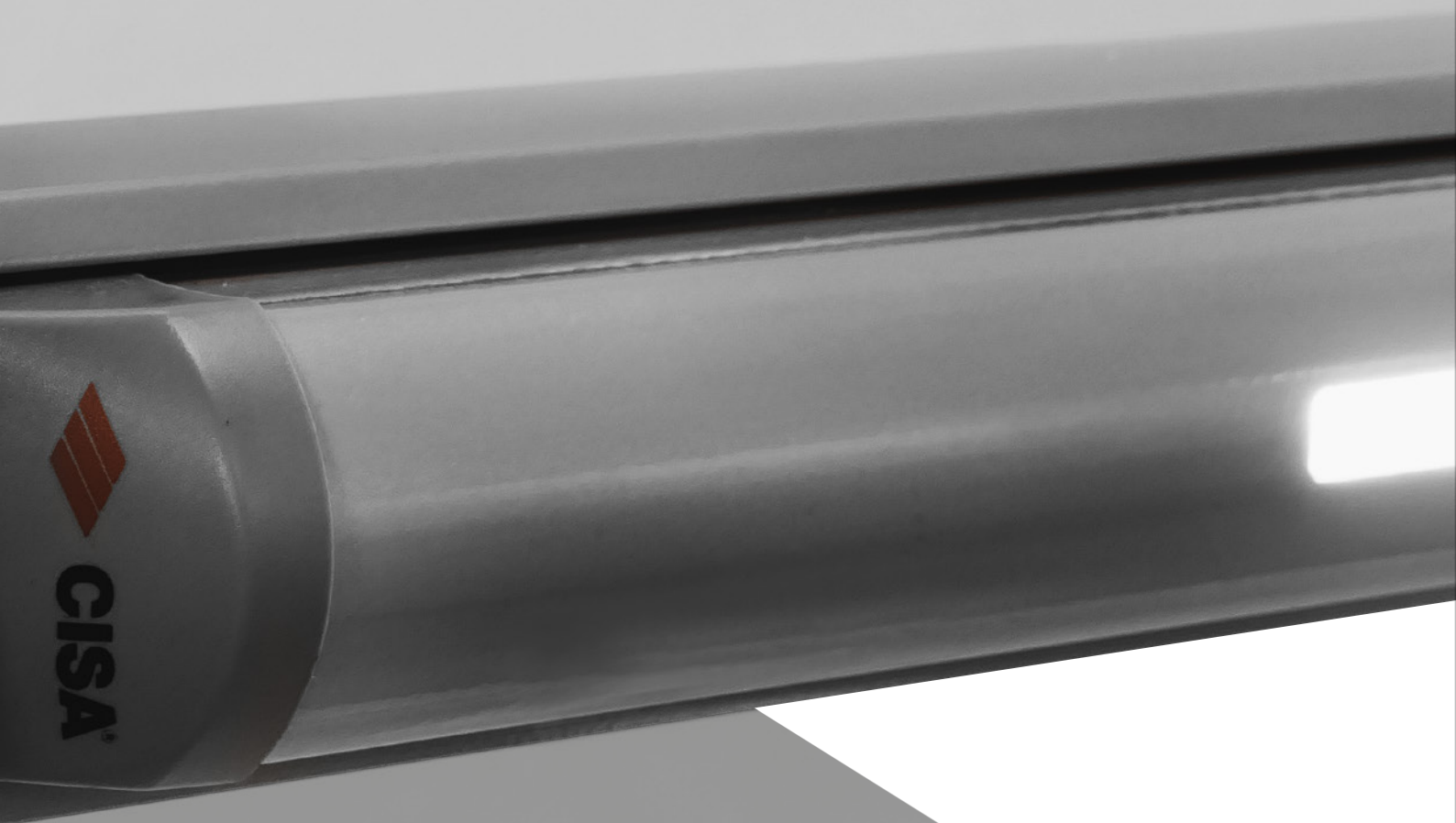


Hospitality



POLARIS

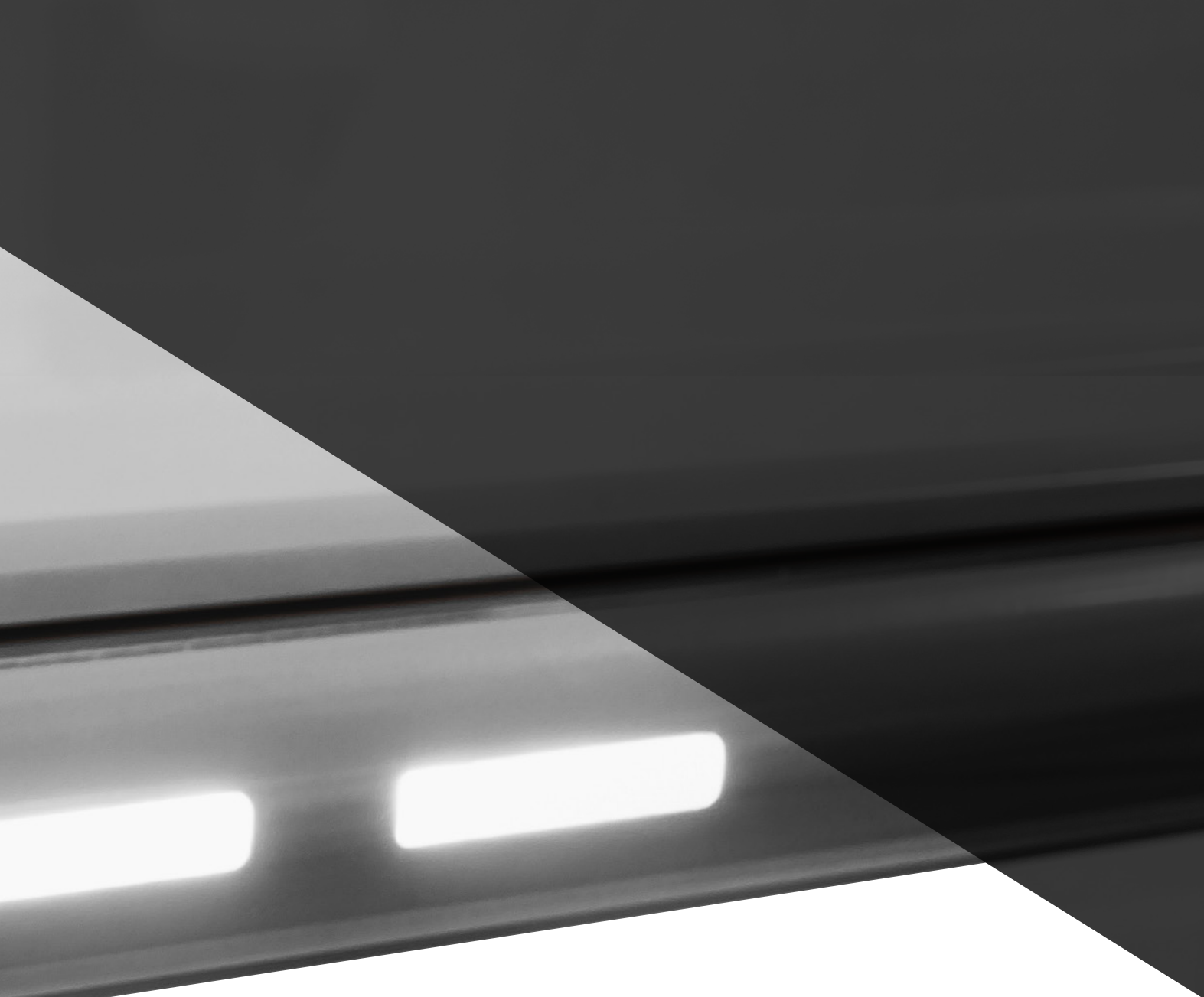
Lighter and safer
emergency exits.



Finding an emergency exit in a building when visibility is low can be difficult, especially when there is smoke.

CISA Polaris is a system with LED lights which can be installed on CISA eFAST and FAST Touch panic exit devices and connected to a power supply with back-up batteries. When connected to an alarm or smoke detector system, the lights come on the moment power fails, making it easy to find the way out in the dark or smoke.

This solution can also be used to simply indicate the exit or illuminate poorly lit areas, such as corridors with emergency doors. In this case, just connect the POLARIS system to the special power supply and the device can be turned on with the flick of a switch.



BENEFITS



For end users

With CISA Polaris, emergency exits are quick and easy to find thanks to the lights on the bar. The lights also help identify escape routes in a smoke-filled environment. Users can see from a distance which side the door opens, as the LEDs are placed next to the latchbolt.



For locksmith

Installation is very easy: just slide the bar off and insert the LED strip which is pre-installed on its special support. Replace the standard bar with the bar in the kit and cut it to the desired length. Next connect the system to the power supply provided with batteries.



For designers and architects

CISA Polaris is built into the bar on the panic exit device and does not alter the appearance of the door. CISA Polaris is available in all bar finishes.

Features and finishes

TECHNICAL FEATURES

- Painted steel bar
- ABS inserts
- Can be shortened up to mm 600 (for Fast touch) and mm 720 (for eFast)
- LEDs (120 lumen)

SUPPLIED AS STANDARD

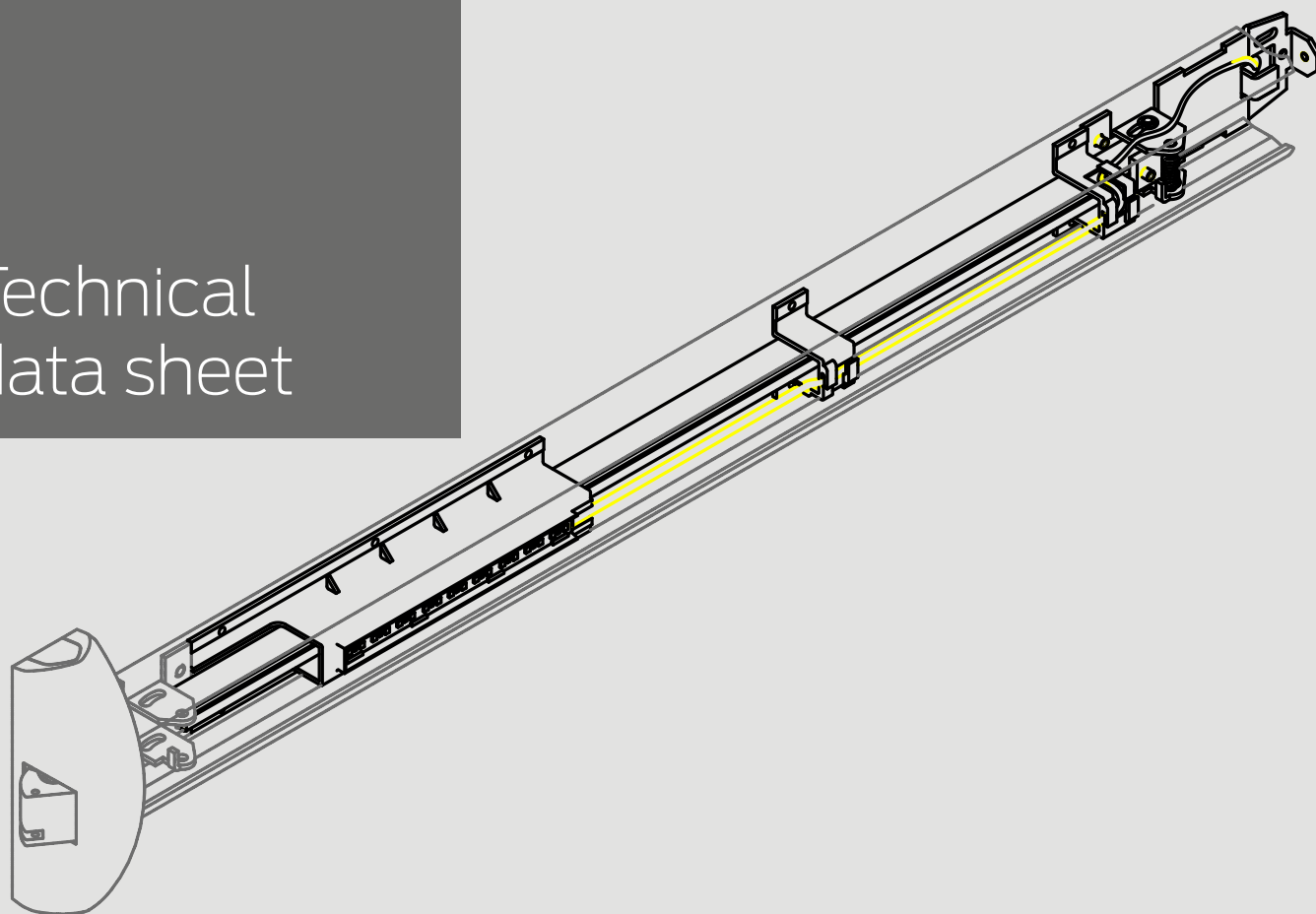
- Steel bar
- LED lights
- Wiring

FINISHES

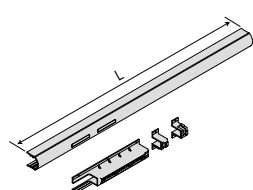
Black Fin. 00	Red Fin. 41	White RAL 9010 Fin. 45	Grey Fin. 97
Green Fin. 43	Yellow Fin. 42	Painted stainless steel Fin. B9	PVD stainless steel Fin. C2



Technical data sheet



TYPE	DESCRIPTION	FOR SERIES	L	kg		ITEM		
				UNIT WEIGHT	No. PIECES	TYPE	DIM.	HAND



Polaris kit containing bar, LEDs and wiring components.

To activate the **emergency** or **light** function, CISA Polaris must be connected to a special transformer (not supplied) with the characteristics indicated on the instruction sheet.

59711
59801
59811
59816
59851

1200 1.300 1 1 06196 60 0

To achieve **emergency or lighting function**, CISA Polaris must be connected to a special power supply (not supplied) with the following features:

Configuration with Direct Network Power:

- Mains power supply, 12VDC 30W output, Class B

Emergency light configuration in the absence of mains voltage:

- Mains power supply with battery charging function, 12VDC 30W output, Class B
- Rechargeable battery (12V DC, > 1.2Ah)
- NC-NO monostable relé with main power coil

SPECIFICATIONS

Bar for FAST Touch rim and mortice panic exit devices and eFAST panic exit devices with LED lights powered by a special 12 V AC power supply.

Two possible functions: emergency (the lights come on when power fails) and light (the lights are controlled by a switch).

About Allegion™

Allegion (NYSE: ALLE) is a global pioneer in safety and security, with leading brands like CISA®, Interflex®, LCN®, Schlage®, SimonsVoss® and Von Duprin®. Focusing on security around the door and adjacent areas, Allegion produces a range of solutions for homes, businesses, schools and other institutions. Allegion is a \$2 billion company, with products sold in almost 130 countries.

For more visit allegion.com

